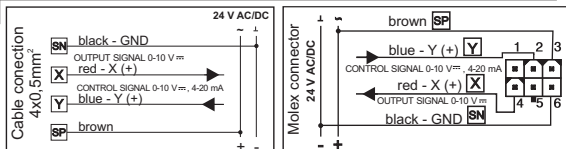


5 Electrical connection



- Output signal max < 0,5mA/10V

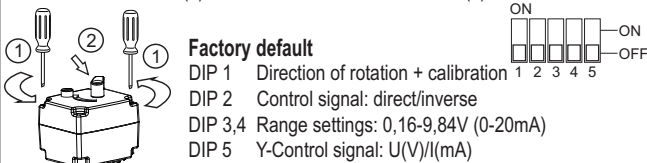
Switch off power supply before making electrical connections or servicing to prevent electrical shock and equipment damage!

WARNING

- The actuator must be protected by a fuse 1A.
- The actuator must be electrically connected in accordance with technical norms.
- Observe the correct connection voltage!
- Installers, and users are responsible for the safe and proper installation / operation of the actuator.

Parameter setting using DIP switches

DIP switches are located inside actuator. To open the actuator it is necessary to loosen the two screws (1) on the cover and remove handle (2).



Factory default

- DIP 1 Direction of rotation + calibration
- DIP 2 Control signal: direct/inverse
- DIP 3,4 Range settings: 0,16-9,84V (0-20mA)
- DIP 5 Y-Control signal: U(V)/I(mA)

1. Direction of rotation

DIP	CCW ↺	CW ↻
1	OFF	ON

- CCW ↺ / CW ↻ + calibration:
- CCW ↺ - opening to the left
- CW ↻ - opening to the right

During changing position of DIP 1 the calibration process is performed. The actuator turns into left and right position. **During process leave the button for manual control in position AUTO!**

2. Control signal: direct/inverse

DIP	↗	↘
2	OFF	ON

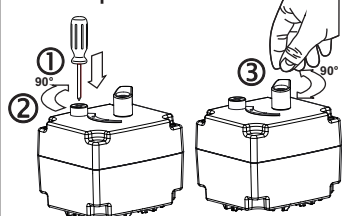
3,4. Range settings

DIP	0,16-9,84V 0-20mA	2-9,84V 4-20mA	0,16-4,88V	5,12-9,84V
3	OFF	OFF	ON	ON
4	OFF	ON	OFF	ON

5.Y-Control signal U(V)/I(mA)

DIP	U(V)	I(mA)
5	OFF	ON

Manual operation



Manual operation:

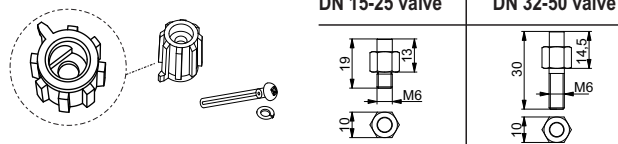
1. With screwdriver push the button down.
2. Turn the button for 90°.
3. Turn the handle of actuator for 90°.

Note:

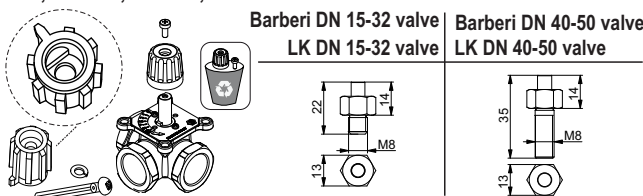
When the operation button for manual operating is in MAN position, actuator stays in permanent position irrespective of control signal.

6 Adapter kit

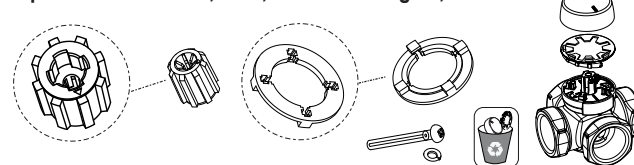
Enclosed mounting kit for FIRŠT FMV 130E and FMV 140E valves, code 58104



Optional U-MV EURONORM mounting kit, code 58103, for valves LK, Barberi, Seltron, ...



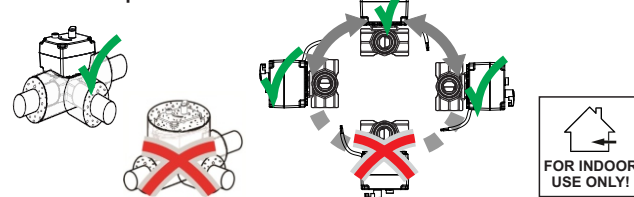
Optional U-MV ESBE, VRB, VRG mounting kit, code 58037



Installation recommendation for valves



Installation positions



Safety information:

- Before installation wash pipes, sealing material must not go inside the valve.
- During installation, avoid soldering or welding near the valve.
- Any deterioration or destruction of any part of the valves shall result in the need to replace the complete valve: alterations to any part of the complete valve shall result in the valve no longer being in compliance with the performance requirements of this document.
- Place of assembly must be protected against frost, the device must be protected from chemicals, paints, detergents, solvents and their vapors and other environmental influences (vibration).
- All installations should be performed in accordance with existing local installation regulations and codes of practice where they exist.
- It's imperative to follow the installation instructions of the valve manufacturer.
- If the valve is installed in the heating installation the water quality in the system has to comply with the VDI 2035 requirements.



FIRŠT®

S11 MOD X AC/DC

Modulating actuators for 3-way and 4-way mixing valves



MODULATING CONTROL 0 - 10 V DC 4 - 20 mA
24V AC/DC



Product designation: **S11 MOD X AC/DC** X XXX X X

Rotation direction

2= defined 90°

Rotation time

075=75s

Voltage

8=24V AC/DC

Connection

K=cable 1,5m (4x0,5mm²)

M=Molex connector



FIRŠT d.o.o

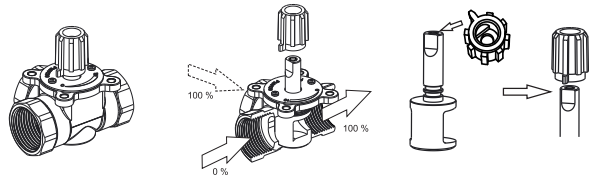
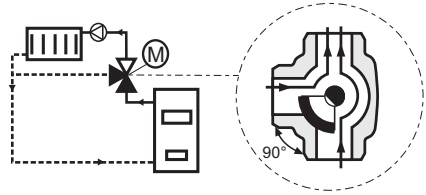
Koroška cesta 56, 3320 Velenje,
Slovenia

tel: ++386 (0)3 898 35 00

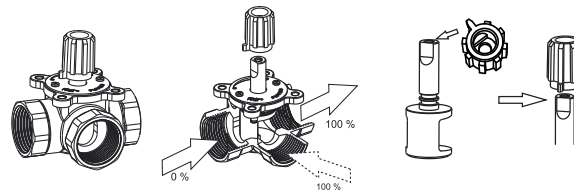
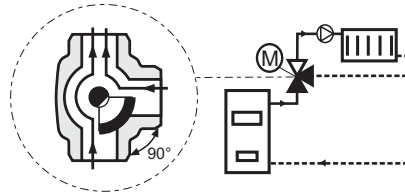
fax: ++386 (0)3 898 35 35

info@first.si, <http://www.first.si>

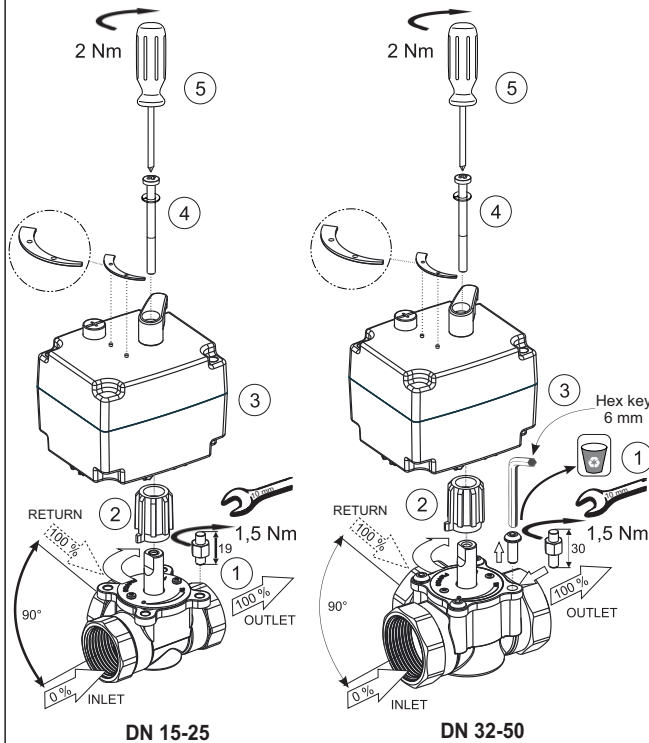
1 Installation example FMV 130E valve - right position



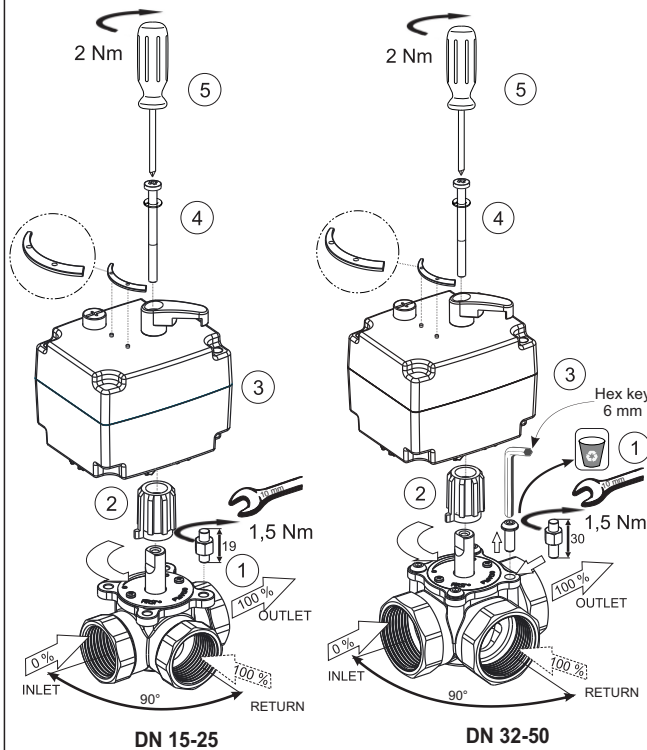
2 Installation example FMV 130E valve - left position



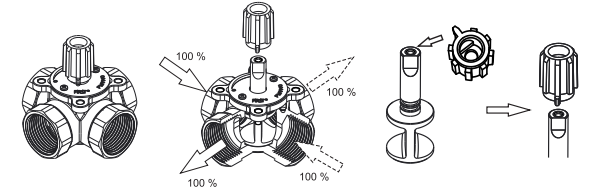
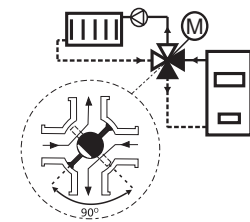
1a DN 15-25 and DN 32-50, enclosed mounting kit code 58104



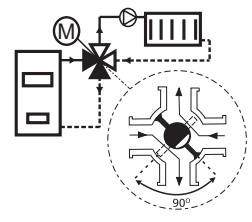
2a DN 15-25 and DN 32-50, enclosed mounting kit code 58104



3 Installation example FMV 140E valve - right position



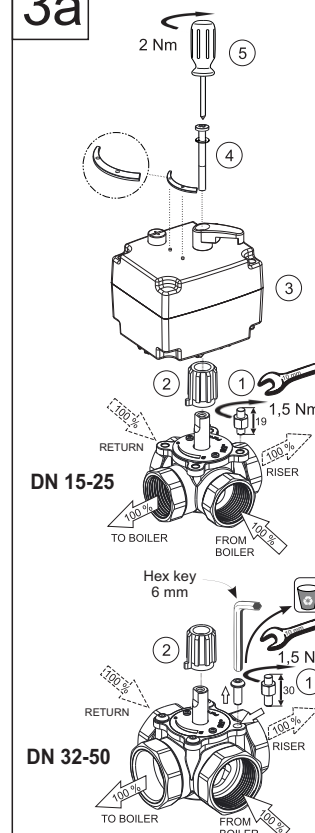
4 Installation example FMV 140E valve - left position



DN15-25 and DN 32-50, enclosed mounting kit code 58104

3a

Right position



4a

Left position

